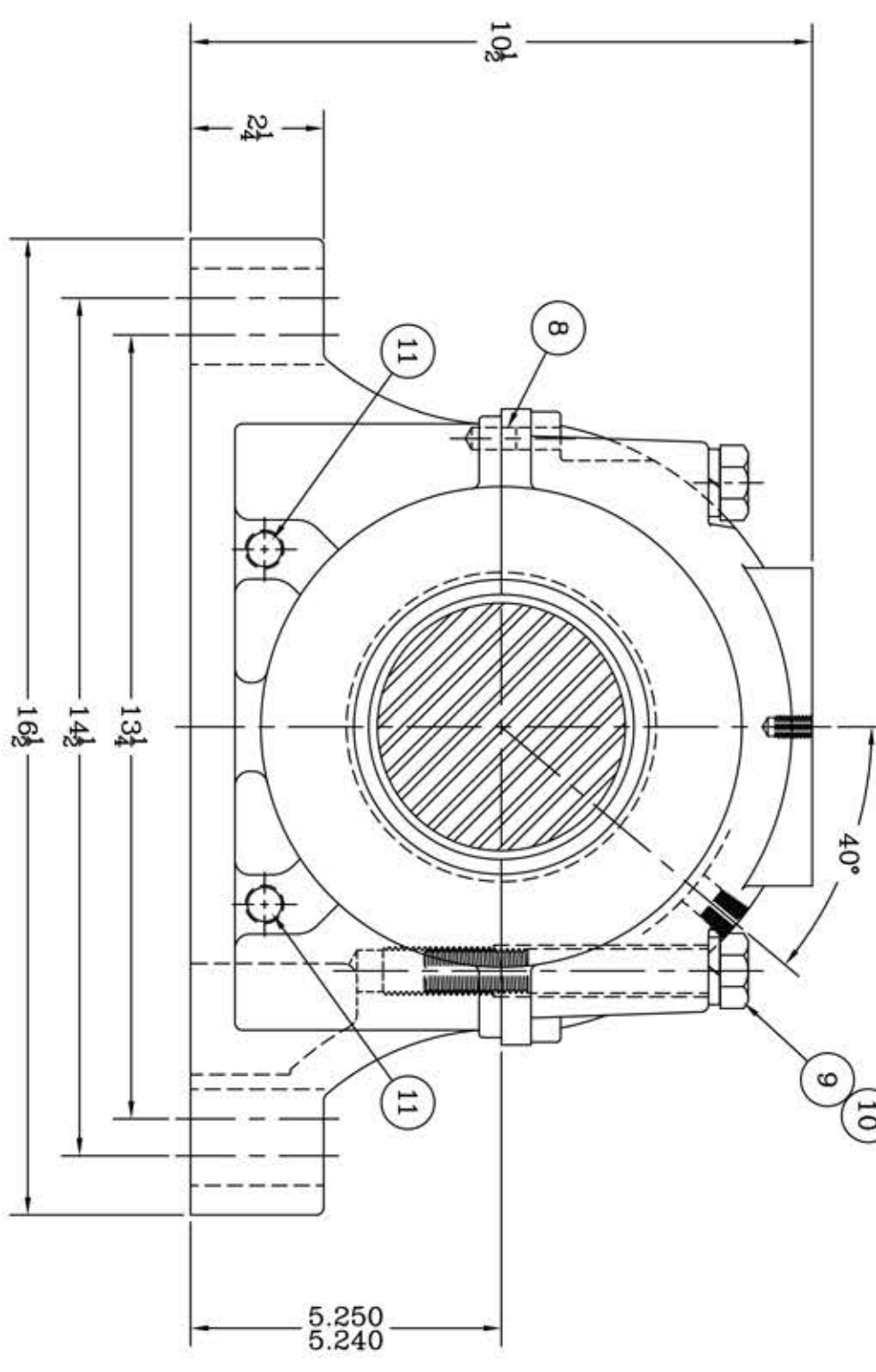
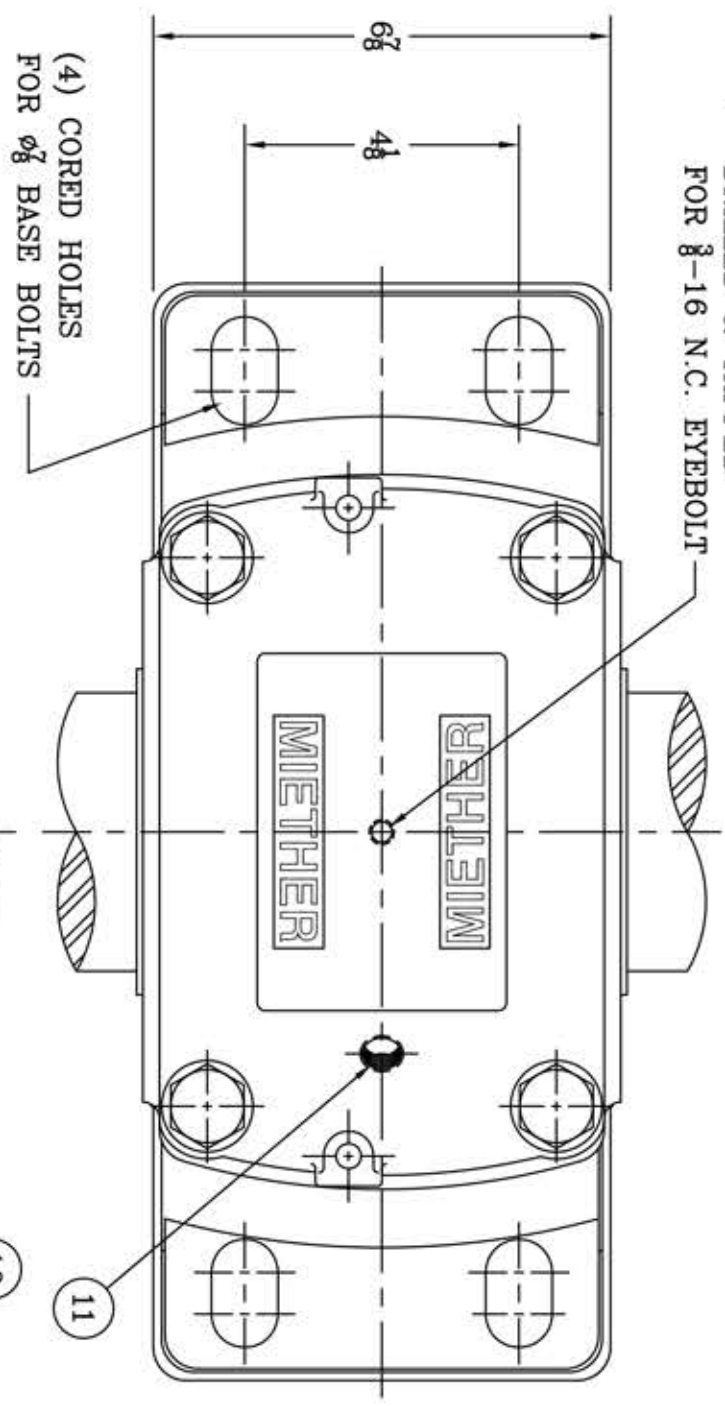


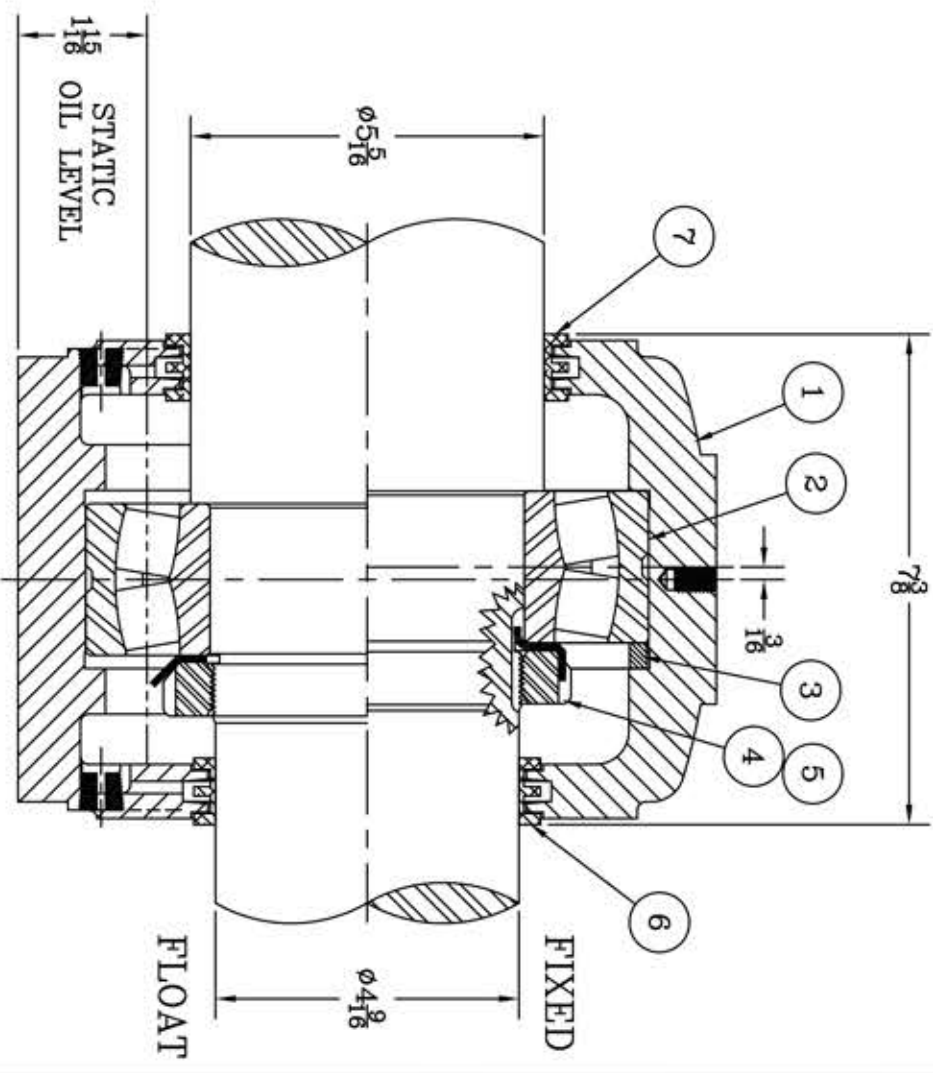
This drawing is the sole property of Miether Bearing Products and contains confidential and proprietary information. It is being provided to you for your use and may not be disclosed to any third party or used for any other purpose without Miether's prior written consent. The [materials] must be returned to the Company upon its demand. Your acceptance of these materials constitutes your acceptance of the foregoing terms.

C-35252

DRILLED & TAPPED  
FOR 3/8-16 N.C. EYEBOLT



ITEM	DESCRIPTION	DETAIL	REQUIRED
1	HOUSING SDAFD 224	C-	1 1
2	SPHERICAL ROLLER BEARING	22224/W-33	1 1
3	STABILIZING RING SR-24-20	A-10604	1 0
4	LOCKNUT AN-24	B-10416	1 1
5	LOCKWASHER W-24	00246	1 1
6	TRIPLE SEAL RING LER-119	A-10625	1 1
7	TRIPLE SEAL RING LER-127	A-10626	1 1
8	DOWEL	3/8 x 3/4 LONG	2 2
9	CAP BOLT HEX. HEAD GR.5	3/4-10 NC x 5" LONG	4 4
10	LOCKWASHER	3/4 SPLIT MED.	4 4
11	PIPE PLUG	3/8-18 NPT	5 5



REVISIONS

SYMBOL	DESCRIPTION
C	16
D	32
E	63
F	125
G	250
J	500
K	1000

TOLERANCE: UNLESS OTHERWISE SPECIFIED  
FRACTIONS ± 1/32" ANGLES ± 0° 30'  
DECIMALS ± .005 WELD ± 1/16"  
CASTING ± 1/16"

A.I.S.I. STANDARD FINISHES

AN ALCO INDUSTRIES COMPANY  
BEARING PRODUCTS  
ODESSA, TX. USA

SDAFD 22224 05-05 x 04-09  
ASSEMBLY DRAWING

SCALE HALF  
DRAWN PCF  
DATE 1-7-13  
CHK.

ASSEMBLY NO.  
DRAWING NO.  
C-35252